



Rd-61 Specification

Version V1.1.0

Copyright ©2025

Document resume

Version	Date	Develop/revise content	Edition	Approved by
V1.1.0	2025.01.09	First Edition	Pengfei Dong	Ning Guan

Content

1. Product overviews	4
2. Characteristics	5
3. Main parameters	6
3.1. Electrostatic requirements	6
3.2. Electrical character	7
4. Appearance size	8
5. Pin definition	9
6. Schematic diagram	11
7. Design guide	12
7.1. Application circuit guide	12
7.2. Recommended PCB package size	13
7.3. Precautions for radar installation	13
7.4. Installation environment requirements	14
7.5. Power supply	14
7.6. GPIO	15
8. Storage condition	16
9. Reflow welding curve diagram	16
10. Product packaging information	17
11. Contact us	17
Disclaimer and copyright notice	18
Notice	18
Important statement	19

1. Product overviews

Rd-61 is an AiP radar module with low power consumption of 60 GHz FMCW carrier developed by Shenzhen Anxinke Technology Co., LTD. The module integrates 1T3R AiP radar chip and Flash, which can meet the rapid application development of developers after direct power supply to the module. The module contains four low-power management modes: power off, standby, idle, and working. Not only is it low power in standby mode, but also low power when sensing and connecting by a fast burst engine and high-performance RF transceiver. The flexible configuration of these modes allows for the power consumption of the entire module to meet a variety of stringent application requirements. Its configuration and data acquisition are implemented through the UART interface. The module is divided into three subsystems:

- **mmWave RF and BB subsystem:** This module includes all high-performance radar RF / analog and baseband digital signal circuits. It also includes a linear FM pulse generator and a Tx-to-Rx state machine.
- **Processing and application subsystems:** including a 32-bit RISC CPU and radar hardware accelerator HWA for different application processing and task management. Our proprietary HWA IP is used with specified radar calculations (e. g. FFT, CFAR, etc.), compression, and moving target perception and location.
- **Power supply and clock subsystem:** The module is a complex single-chip Soc with multiple functional systems. We use the internal integrated PMU system and clock subsystem for centralized management.

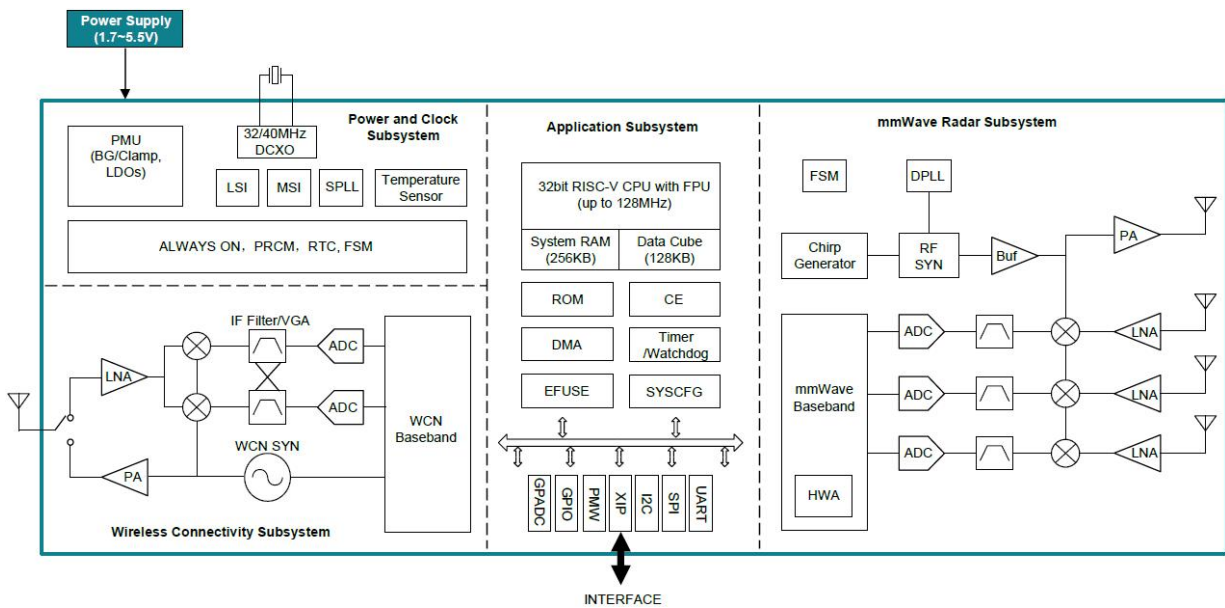


Figure 1 Main Chip Architecture Diagram

1.1. Characteristics

- With SMD package, compatible with 1.27mm pin header
- The radar spectrum range is 58G ~64GHz, and the continuous sweep band width is 6GHz
- The radar antenna supports 1T3R, realizing different configuration modes of 1T1R, 1T2R and 1T3R
- Equivalent omnidirectional radiation power (EIRP)17.5dBm
- The radar detection Angle is large, the coverage is horizontal FOV 120° and vertical FOV 120°
- The maximum induction distance of the radar is 8 meters (depending on the size of the detection target RCS)
- The nearest inductive distance of radar is 0.01 m (with reference to human target)
- Ultra-small module size: 18.5*6.5mm
- Typical application scenarios

It can be widely used in the typical scenes of AIOT intelligent perception represented by intelligent home appliances, intelligent security, intelligent health care, intelligent cockpit, etc., to realize the high precision and high sensitivity detection of the movement and micro-motion of human body and objects:

- ✓ Human body movement / presence detection
- ✓ Human body tracking and counting
- ✓ Human breathing and heartbeat detection
- ✓ Gesture recognition
- ✓ Visible doorbell
- ✓ Web camera
- ✓ Air conditioner
- ✓ Refrigerator
- ✓ Television

2. Main parameters

Table 1 Description of the main parameters

Model	Rd-61
Package	SMD8 compatible DIP-8
Size	18.5*6.5*5.8(±0.2)mm (with pin header) 18.5*6.5*1.6(±0.2)mm (without pin header)
Antenna	Radar: AiP antenna
Frequency	Radar: 58G ~64GHz
Operating temperature	-40°C ~ 85°C
Storage environment	-40°C ~ 125°C, < 90%RH
Power supply range	Power supply voltage is 1.7V ~ 5.5V, the typical value is 3.3V, and power supply current $\geq 500\text{mA}$
Support interface	UART/IIC
Serial port rate	The UART is compatible with the 16550 industrial standard and supports a port rate of up to 3Mbps. Default: 115200

2.1. Electrostatic requirements

Rd-61 is electrostatic sensitive equipment that requires special precautions during handling.



Figure 2 ESD ESstatic diagram

2.2. Electrical character

Table 2 Electrical characteristics table

Parameter		Condition	Minimum value	Typical value	Maximum value	Unit
Supply voltage		VCC	1.7	3.3	5.5	V
		VDDIO	1.7	3.3	3.6	V
		V13	1.2	1.3	2.5	V
I/O	VIL	-	-0.3	-	0.35*VDDIO	V
	VIH	-	0.65*VDDIO	-	1.1*VDDIO	V
	VOL	-	-0.3	-	0.1*VDDIO	V
	VOH	-	0.9*VDDIO	-	1.1*VDDIO	V

3. Appearance size

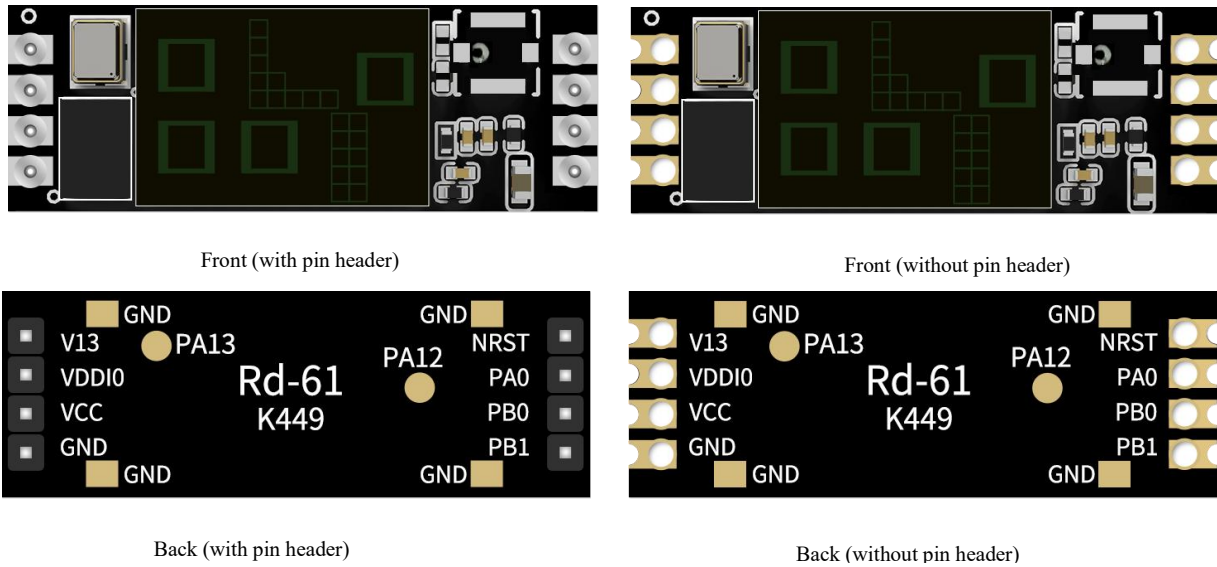


Figure 3 Appearance diagram (rendering diagram is for reference only, subject to physical objects)

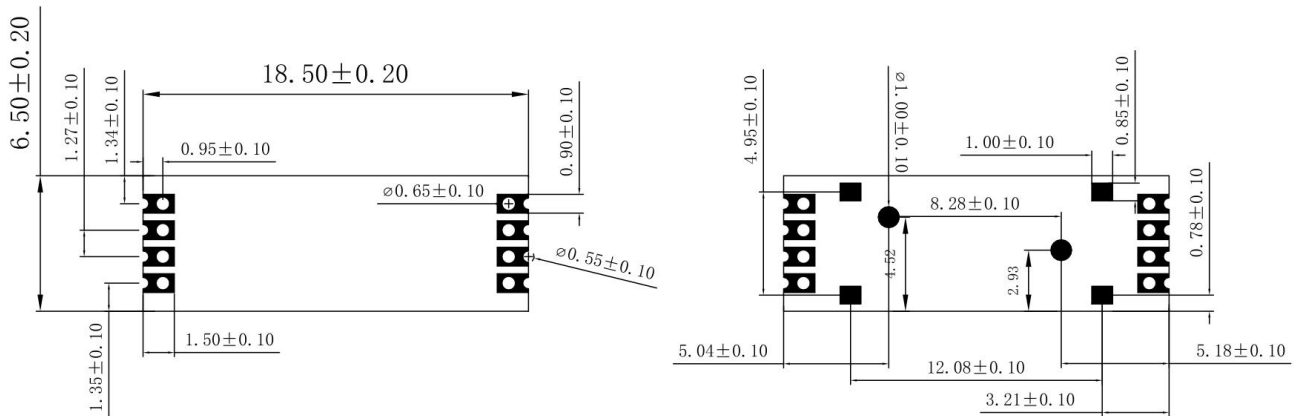


Figure 4 Size diagram

4. Pin definition

The Rd-61 module is connected with 14 pins, refer to the pin schematic diagram, and the pin function definition table is the interface definition

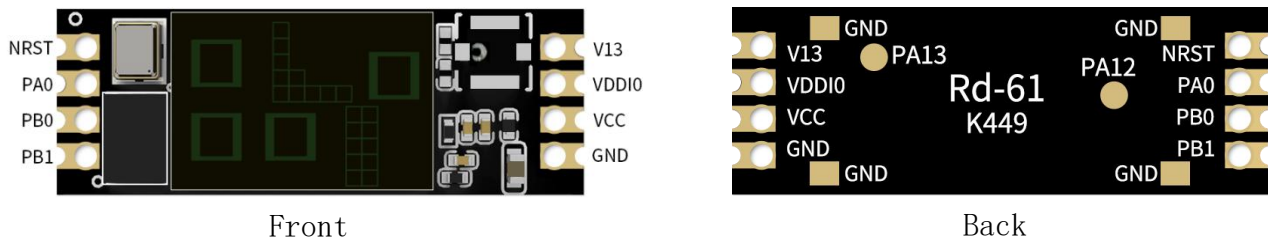


Figure 5 Pin schematic diagram

Table 5 Pin function definition table

No	Name	Function description
1	NRST	(IO), External reset, low level effective, default high level
2	PA0	(IO/WUP),PA0,WIO0,SPI0-CS,UART1-TX,PWM0,MCO-CLK
3	PB0	(IO/WUP),PB0,WIO16,UART0-TX,S-SWD-TMS,PWM0
4	PB1	(IO/WUP),PB1,WIO17,UART0-RX,S-SWD-TCK,PWM
5	GND	(G), connect to ground
6	VCC	(PI), Module power supply1.7V~5.5V, Default input3.3V
7	VDDIO	(PI), Module IO power supply1.7~3.6V, Default input 3.3V
8	V13	(PI), analog power supply input voltage 1.2V~2.5V, default 1.3V, see the power supply mode
9	GND	(G), connect to ground
10	GND	(G), connect to ground
11	GND	(G), connect to ground
12	GND	(G), connect to ground
13	PA12	(IO/WUP),PA12,WIO12,UART2-RX,UART1-RTS,PWM4, GPADC4, this pin connection internal FLASH is not available by default
14	PA13	(IO/WUP),PA13,WIO13,UART2-TX,MCO-CLK,PWM4,GPADC4

Notice:

- The PI represents the input power supply;
- PO represents the output power supply;
- IO represents the general digital function pin;
- WUP represents the standby (standby) mode can maintain the state or wake up the digital pin of the system, where WIOx refers to the sequential number of WUP type IO;
- The periphery of millimeter wave radar module includes power supply and 5 GPIO. VCC is the main power supply of the module, and VDDIO is the power supply of GPIO. When the power supply voltage does not exceed 3.6V, VCC and VDDIO can be directly short-connected when applied. The V13 is optionally powered by either an internal VINT or an external DCDC, and the module can achieve a lower power consumption if powered by an external DCDC.

5. Schematic diagram

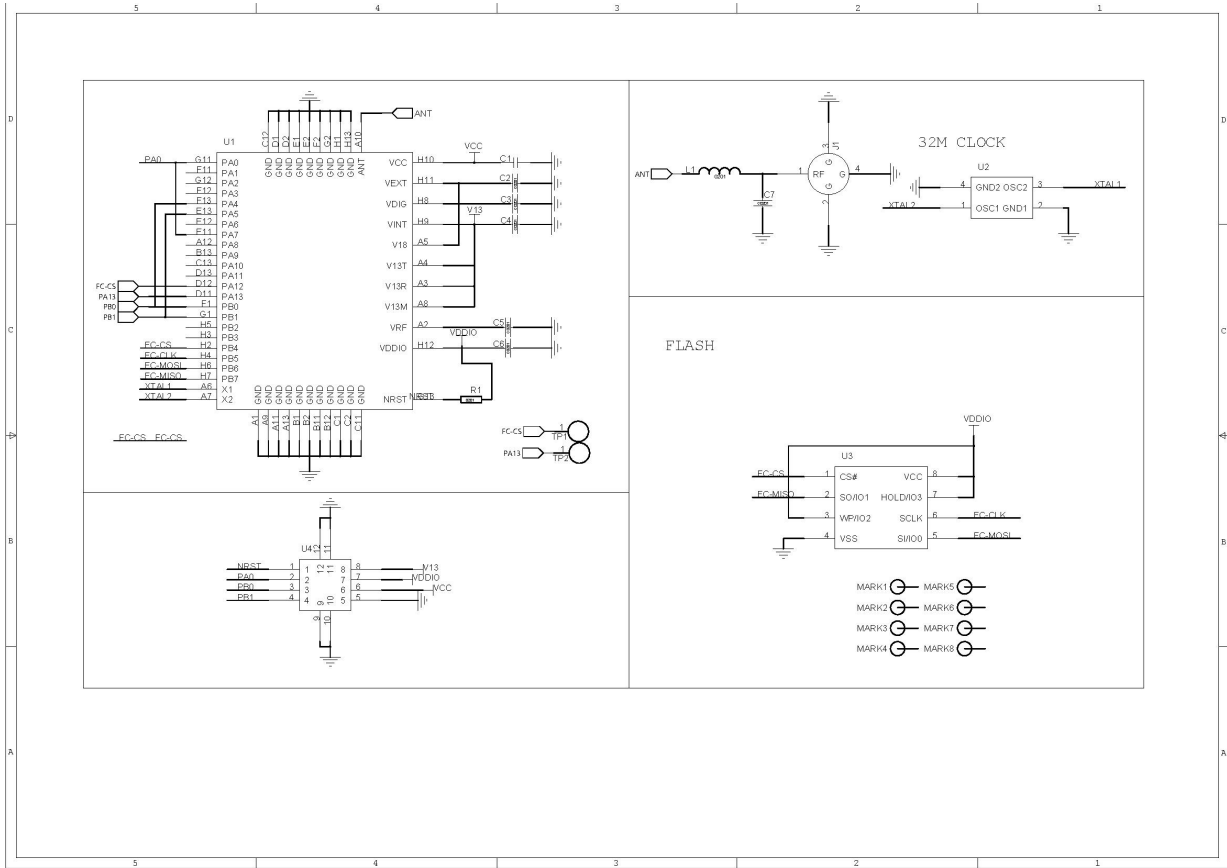


Figure 6 Schematics diagram

6. Design guide

6.1. Application circuit guide

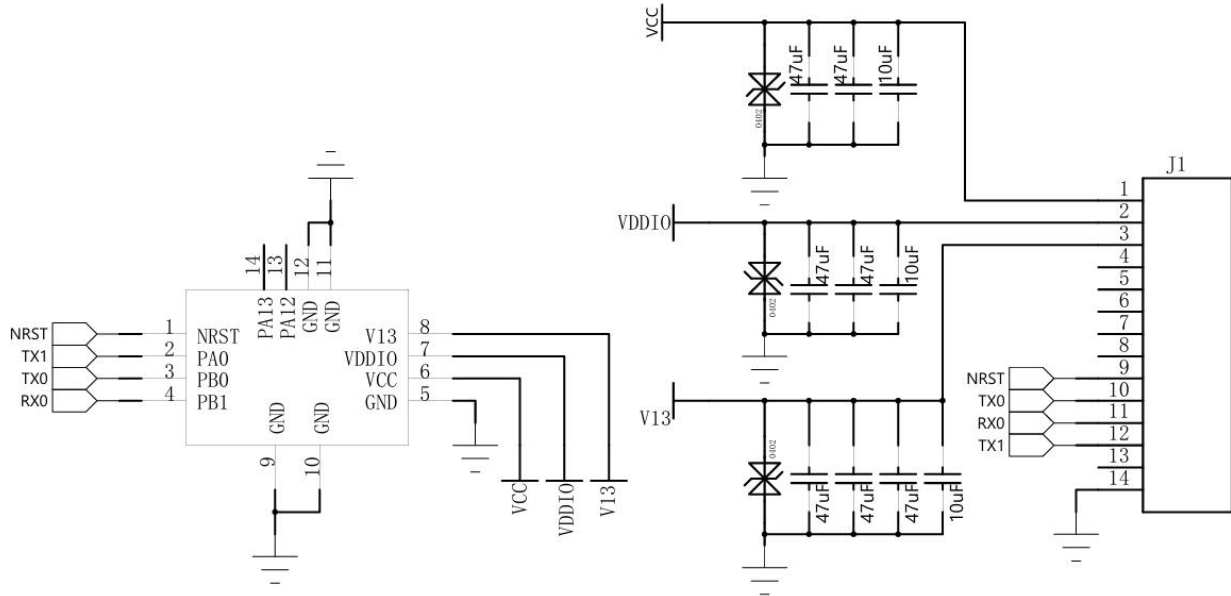


Figure 7 Application circuit guide

- There is a difference between V13 external 1.3V and the low power current using the chip internal VINT. Table 6 shows the current difference comparison table using the maximum detection distance 5 m / radar report frequency 0.5Hz

Table 6 Comparison table of current differences

Parameter	Low power lining current (uA)	Average current in the unmanned state (uA)
V13 for 1.3V supply from an external DCDCVDDIO=VCC=3.3V	10.42	28.49
The V13 is powered by the internal chip VINTVDDIO=VCC=3.3V	16.9	45

- In the ultra-low power consumption scenario, providing the V13pin of the module with 1.3V power supply can further reduce the power consumption. For V13 external power supply of 1.3V DCDC, note the following:
 - ✓ The selection of DCDC requires minimal static current, recommended to be less than 1 uA;

- ✓ Power supply current of DCDC is > 500 mA;
- Serial port 0 (PB 0 / PB 1) receives the radar command, and serial port 1 (PA0) outputs the radar data.
- Use serial port 0 (PB 0 / PB 1). PB 0 is boot foot, and when the moment PB 0 is low level, the module enters the burning mode; when the moment PB 0 is high level.

6.2. Recommended PCB package size

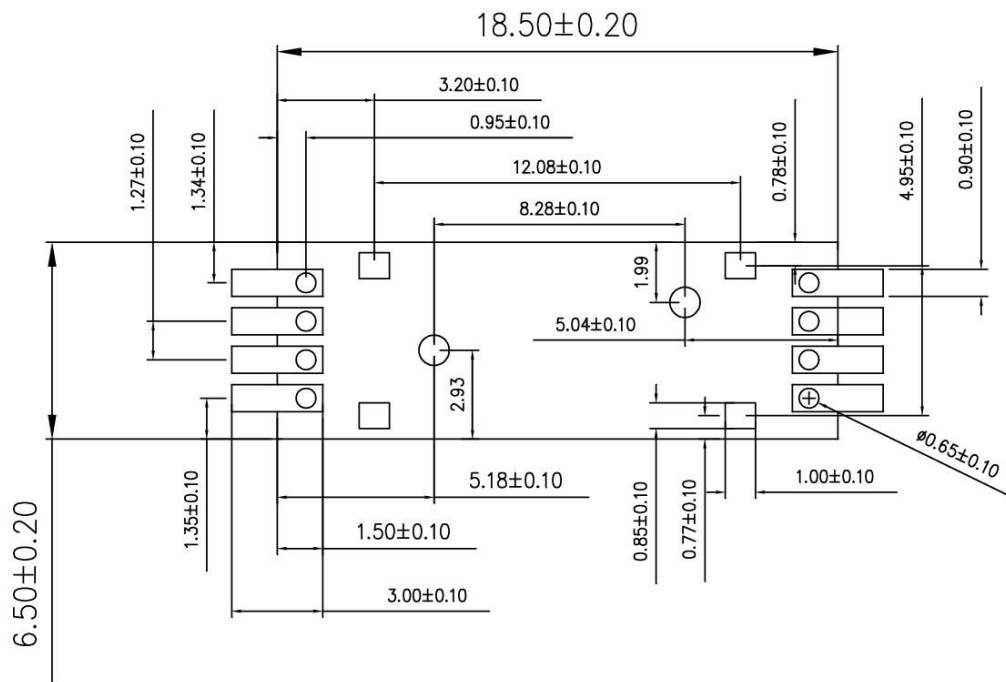


Figure 8 Recommended PCB package size

Notice:

- The Rd-61 module uses SMD 8 package standard pin header interface compatible with DIP8-1.27mm spacing

6.3. Precautions for radar installation

- In the installation position on the motherboard, the following ways are recommended:
 - ✓ Try to ensure that the radar antenna is facing the area to be detected, and the antenna is open without shielding.
 - ✓ To ensure that the installation position of the radar is firm and stable, the shaking of the radar itself will affect the detection effect.

- ✓ Make sure that there is no movement or vibration on the back of the radar. Due to the penetration of radar waves, the antenna signal back flap may detect moving objects on the back of the radar. Metal shield or metal backplane can be used to shield the radar back flap and weaken the impact of the radar back object.
- ✓ Due to the target size, state, RCS, etc., the target distance accuracy can also fluctuate slightly.
- ✓ When there are multiple 60GHz band radars, do not beam directly and keep far away from installation to avoid possible mutual interference.
- In order to meet the performance of on-board antenna, metal parts are prohibited around the antenna, away from high-frequency devices.
- The power input voltage range is 1.7V-5.5V, requiring the power ripple within 100 kHz. Users should consider the corresponding electromagnetic compatibility design such as ESD and lightning surge.

6.4. Installation environment requirements

The product needs to be installed in the suitable environment, if used in the following environment, the test effect will be affected:

- There are non-human objects with continuous movement in the induction area, such as animals, curtains that keep swinging, and large green plants facing the air outlet.
- There is a large area of strong reflector in the induction area, which can cause interference to the radar antenna.
- When installing the hanging wall, it is necessary to consider the external interference factors such as the air conditioning and electric fan on the top of the room.

6.5. Power supply

- Recommended 3.3V voltage, peak current above 500 mA.
- Recommended 3.3V voltage, peak current above 500 mA.
- The DC-DC power supply circuit suggests to reserve the position of the dynamic response capacitor, which can optimize the output ripple when the load change is large.
- In the 3.3V power interface, it is recommended to add ESD devices.

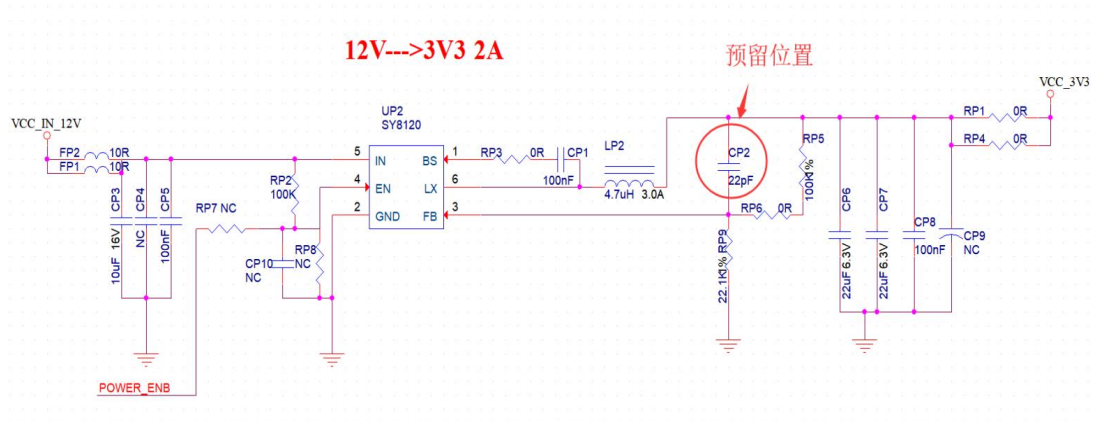


Figure 9 DC-DC buck circuit diagram

6.6. GPIO

- The periphery of the module introduces some IO ports and, if necessary, uses the recommended resistance of 10-100 ohms in series on the IO ports. This can suppress the overshoot and make the level on both sides more stable. For both EMI and ESD.
- Pull up and down of the special IO port, refer to the instructions of the specification, which will affect the startup configuration of the module.
- The IO port of the module is 3.3V. If the main control does not match the IO port level of the module, the level conversion circuit should be added.
- If the IO port is directly connected to the peripheral interface or terminals, it is recommended to reserve ESD devices at the IO port line near the terminal.

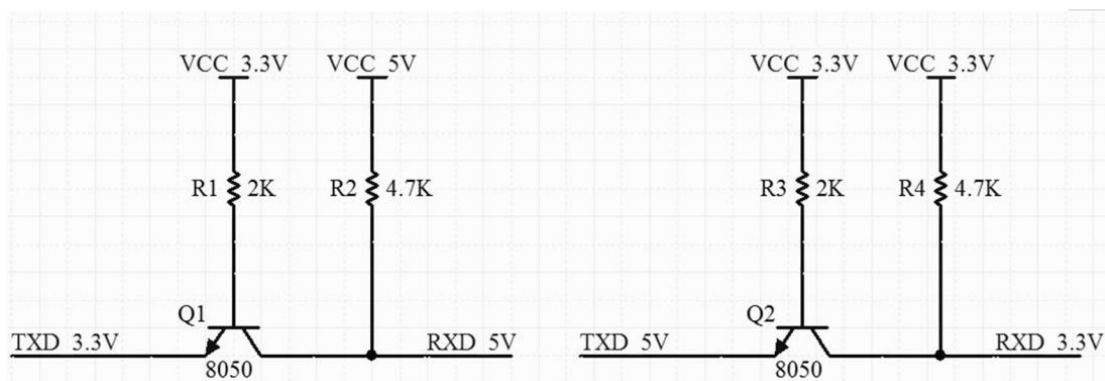


Figure 10 The level conversion circuit

7. Storage condition

Products sealed in a moisture-proof bag shall be stored in a non-condensing atmosphere of $<40^{\circ}\text{C} / 90\% \text{RH}$. The moisture sensitivity grade MSL of the module is level 3.

After the vacuum bag is unsealed, it must be used within 168 hours at $25 \pm 5^{\circ}\text{C} / 60\% \text{RH}$, otherwise it needs to be baked before the secondary launch.

8. Reflow welding curve diagram

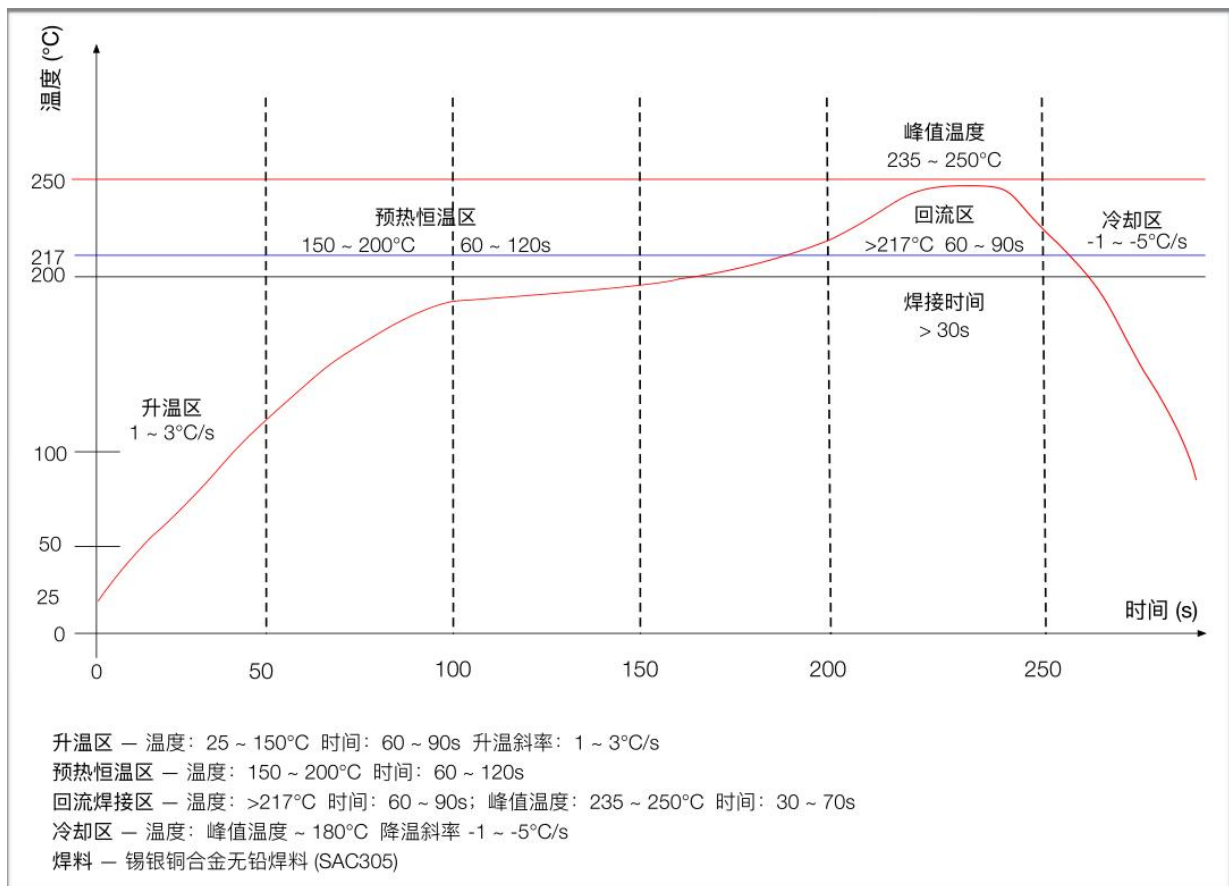


Figure 11 Reflow welding curve

9. Product packaging information

The Rd-61 module is packaged in a tape at 800 pcs / reel. As shown in the figure below:



Figure 12 Packaging diagram

10. Contact us

[Ai-Thinker official Website](#)

[Official Fourm](#)

[Develop DOCS](#)

[Linkedin](#)

[Tmall shop](#)

[Taobao shop](#)

[Alibaba shop](#)

Technial suppot Email: support@aithinker.com

Domestic business cooperation: sales@aithinker.com

Overseas business cooperation: overseas@aithinker.com

Company address: Room 403,408-410, Block C, Huafeng Smart Innovation Port, Gushu 2nd Road, Xixiang, Baoan District, Shenzhen.

Tel: 0755-29162996



WeChat Mini Program



WeChat official

Disclaimer and copyright notice

The information in this article, including the URL address for reference, is subject to change without notice. The document is provided "as is" without any guarantee responsibility, including any guarantee for merchantability, suitability for a specific purpose, or non-infringement, and any guarantee mentioned elsewhere in any proposal, specification or sample. This document does not bear any responsibility, including the responsibility for infringement of any patent rights arising from the use of the information in this document. This document does not grant any license for the use of intellectual property rights in estoppel or other ways, whether express or implied. The test data obtained in the article are all obtained from Ai-Thinker's laboratory tests, and the actual results may vary slightly. All brand names, trademarks and registered trademarks mentioned in this article are the property of their respective owners, and it is hereby declared. The final interpretation right belongs to Shenzhen Ai-Thinker Technology Co., Ltd.

Notice

Due to product version upgrades or other reasons, the contents of this manual may be changed. Shenzhen Ai-Thinker Technology Co., Ltd. reserves the right to modify the contents of this manual without any notice or prompt. This manual is only used as a guide. Shenzhen Ai-Thinker Technology Co., Ltd. makes every effort to provide accurate information in this manual. However, Shenzhen Ai-Thinker

Technology Co., Ltd. does not guarantee that the contents of the manual are completely free of errors. All statements and information in this manual. And the suggestion does not constitute any express or implied guarantee.

Important statement

Ai-Thinker may provide technical and reliability data "as is" (including data sheets), design resources (including design for reference purposes), application or other design recommendations, network tools, security information and other resources (the "these resources") and without warranty without express or implied warranty, including without limitation, adaptability for a particular purpose or infringement of intellectual property rights of any third party. And specifically declares that it is not liable for any inevitable or incidental losses arising from the application or the use of any company products and circuits.

Ai-Thinker reserves the right to the information released in this document (including but not limited to the indicators and product description) and any changes to the Company without notice to automatically replace and replace all the information provided in the previous version of the same document number document.

These resources are available to skilled developers who design Ai-Thinker products. You will assume all responsibilities for the following: (1) select the appropriate optional products for your application; (2) design, verify, and run your application and products during the full life cycle; and (3) ensure that your application meets all corresponding standards, norms and laws, and any other functional security, information security, regulatory or other requirements.

Ai-Thinker authorizes you to use these resources only for the application of the Essence products described in this resource. Without the permission of Ai-Thinker, no unit or individual shall copy or copy part or all of these resources without authorization, and shall not spread them in any form. You are not entitled to use any other Principal or any third party intellectual property. You shall fully indemnify you for any claims, damages, costs, losses and debts incurred by the result of the use of these resources.

The products available by Ai-Thinker are subject to the terms of sales or other applicable terms attached to the products. Ai-Thinker may provide these resources does not extend or otherwise change the applicable warranty or warranty disclaimer for the product release.